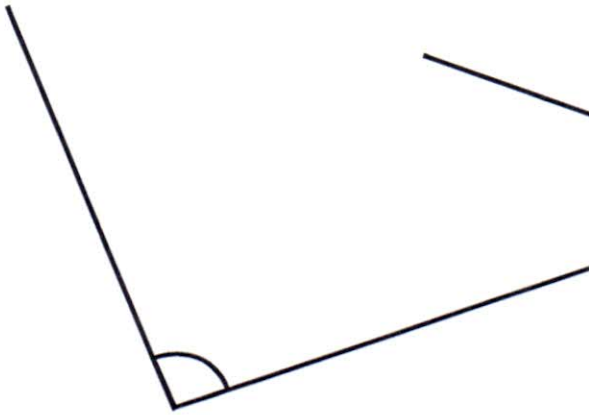


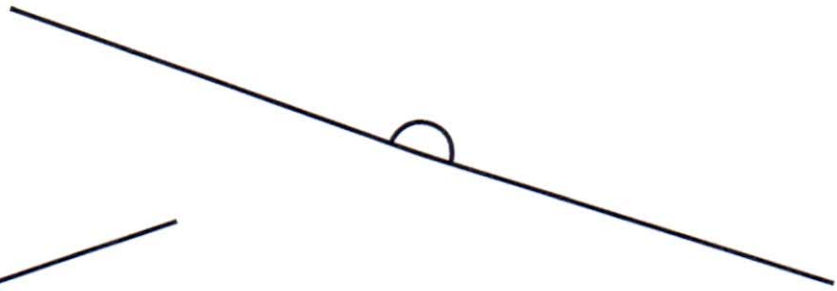
Measure Obtuse Angles

Measure the following angles:

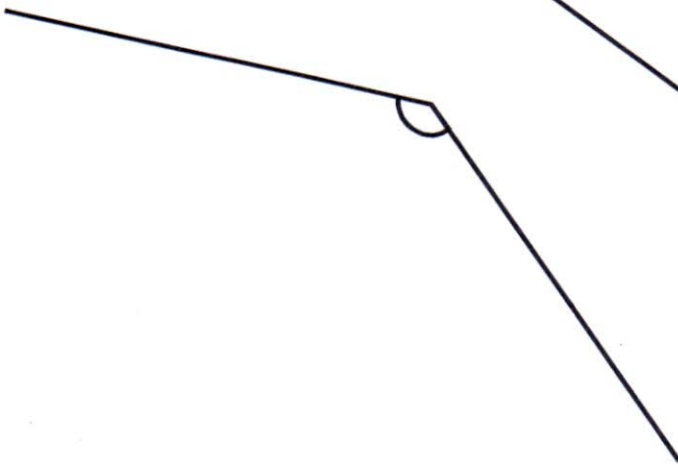
1. °



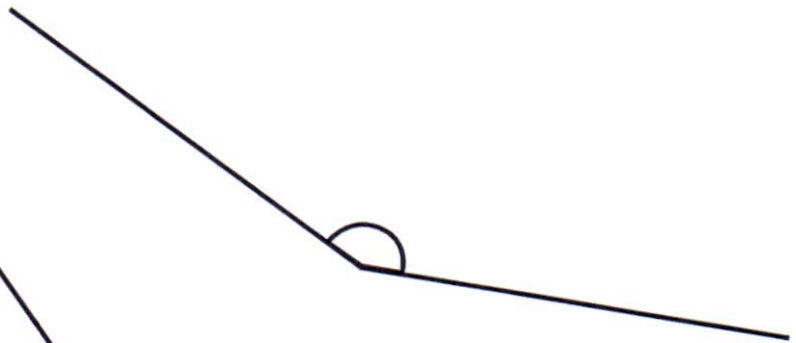
2. °



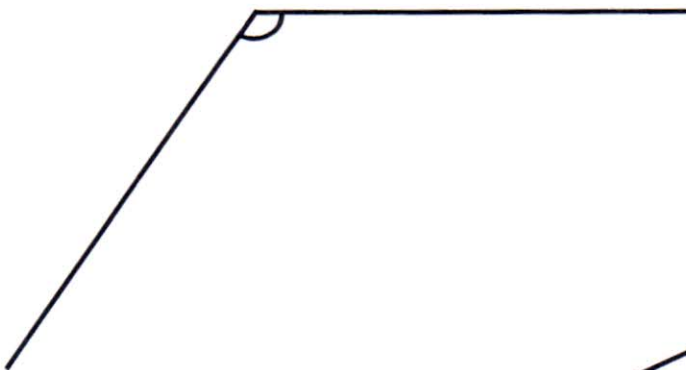
3. °



4. °



5. °



6. °

